

MODEL # CIMR-JU	VOLTAGE THREE PHASE (VAC)	OUTPUT CURRENT (A)		WEIGHT LBS (Kg)	HEAT LOSS (W)					
		ND	HD		ND (Fc=2kHz)			HD (Fc=8kHz)		
		INT	EXT	TOT	INT	EXT	TOT	INT	EXT	TOT
2A0004BXX	208/240	3.5	3.0	2.0 (0.9)	13.6	15.8	29.4	11.5	16.2	27.7

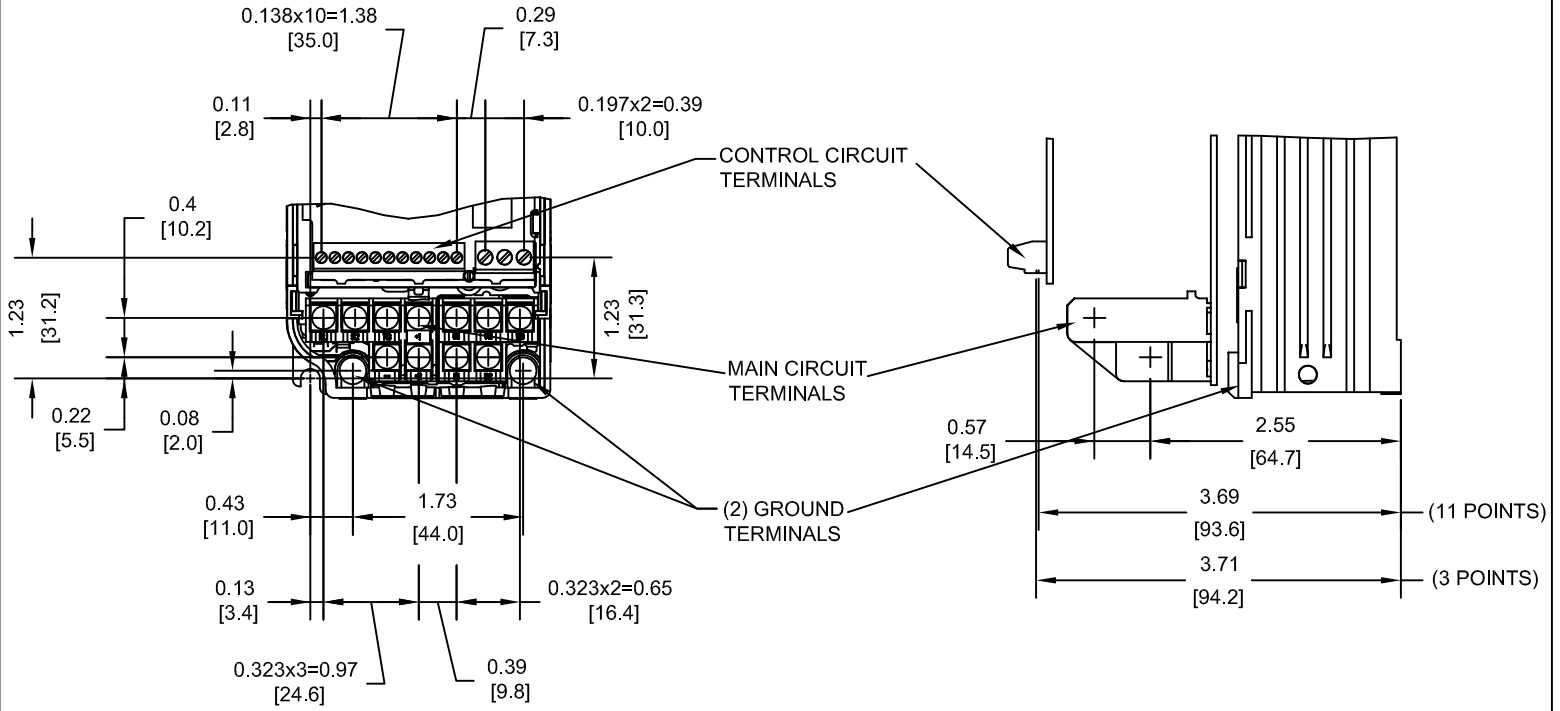
NOTE:
XX DENOTES AA-ZZ

INT=INTERNAL COMPONENTS
EXT=EXTERNAL HEATSINK
TOT=TOTAL

FOR ADDITIONAL DETAILS AND SPECIFICATIONS, CONSULT MANUAL

TOLERANCES / REFERENCES:		<p>YASKAWA The Drive for Quality™</p> <p><i>THIS DOCUMENT AND INFORMATION CONTAINED IN IT ARE CONFIDENTIAL, AND CANNOT BE COPIED OR DISCLOSED IN WHOLE OR IN PART WITHOUT THE EXPRESS WRITTEN CONSENT OF YASKAWA ELECTRIC AMERICA INC.</i></p>	DRAWN: J. MATTAS DATE: 7-28-08	TITLE: J1000 DIMENSION DRAWING FRAME SIZE 2 OPEN ENCLOSURE (IP20 RATING) 2A0004B
UNITS: IN [mm]	SCALE: 1:3		CHECKED: J. PIOTROWSKI DATE: 4-16-09	DATE: 5-11-09
			TECH: J. CAIRO DATE: 5-11-09	DATE: 5-14-09
			APPROVED: T. SASADA DATE: 5-14-09	ORIGINAL DESIGN: - DATE: -
			SIZE: A REVISION: R00 PAGE: 1 of 3	DRAWING #: DD.J1K.FR2.IP20

TERMINAL AND WIRING DETAILS (SCALE 1:2)



TERMINAL AND WIRE SPECIFICATIONS FOR
MAIN CIRCUIT AND GROUND

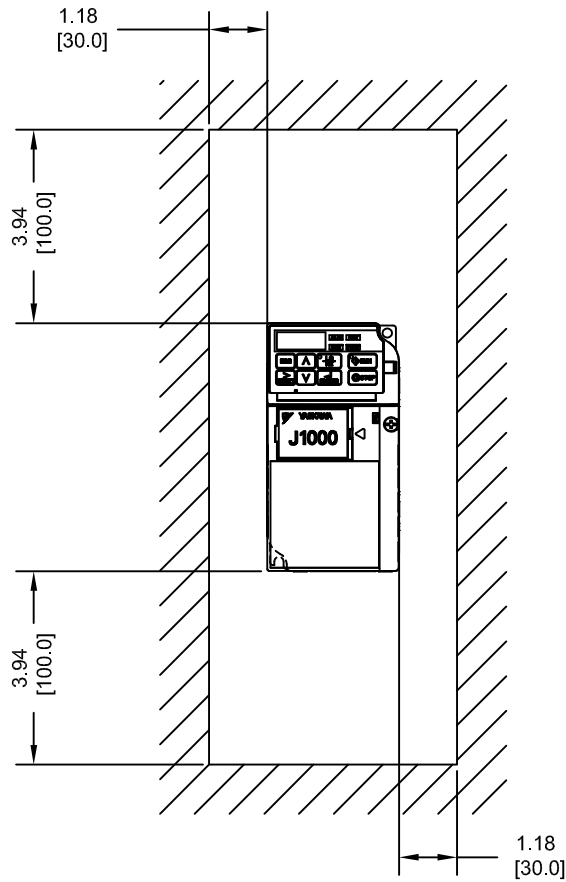
MODEL #	TERMINAL SCREW	CLAMPING TORQUE lb.in.(N.m.)	WIRE RANGE AWG(mm ²)
CIMR-JU	M3.5	7.1 TO 8.9 (0.8 TO 1.0)	22-14 (0.33-2.0)
2A0004B	M3.5	7.1 TO 8.9 (0.8 TO 1.0)	22-14 (0.33-2.0)

NOTE: RATINGS APPLY TO BOTH FACTORY AND FIELD WIRING
REFER TO APPLICABLE CODES FOR PROPER WIRE TYPE AND SIZE

FOR ADDITIONAL DETAILS AND SPECIFICATIONS, CONSULT MANUAL

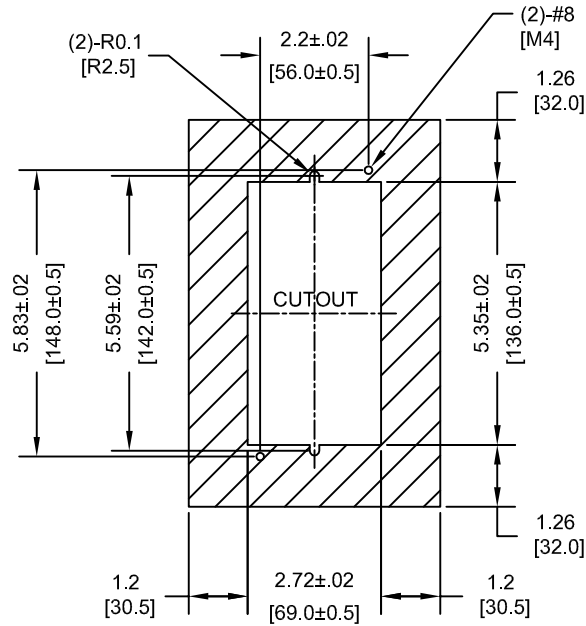
TOLERANCES / REFERENCES:		<p>THIS DOCUMENT AND INFORMATION CONTAINED IN IT ARE CONFIDENTIAL, AND CANNOT BE COPIED OR DISCLOSED IN WHOLE OR IN PART WITHOUT THE EXPRESS WRITTEN CONSENT OF YASKAWA ELECTRIC AMERICA INC.</p>	DRAWN: J. MATTAS DATE: 7-28-08	TITLE: J1000 DIMENSION DRAWING FRAME SIZE 2 OPEN ENCLOSURE (IP20 RATING) 2A0004B
UNITS: IN [mm]			CHECKED: J. PIOTROWSKI DATE: 4-16-09	DATE: 4-16-09
SCALE: BY VIEW			TECH: J. CAIRO DATE: 5-11-09	DATE: 5-11-09
			APPROVED: T. SASADA DATE: 5-14-09	DATE: 5-14-09
		ORIGINAL DESIGN: -	DATE: -	SIZE: A REVISION: R00 PAGE: 2 of 3 DRAWING #: DD.J1K.FR2.IP20

MINIMUM INSTALLATION CLEARANCES (SCALE 1:4)



NOTE:
FOR SIDE-BY-SIDE MOUNTING
CONSULT MANUAL

PANEL CUTOUT FOR EXTERNAL HEATSINK
MOUNTING CONFIGURATION (SCALE 1:4)



NOTES:
1. EXTERNAL HEATSINK
CONFIGURATION REQUIRES
MOUNTING KIT
2. EXPOSED HEATSINK
RECOMMENDED CLEARANCE
D=1.97" MINUS PANEL THICKNESS

TOLERANCES / REFERENCES:			DRAWN: J. MATTAS	DATE: 7-28-08	TITLE: J1000 DIMENSION DRAWING		
			CHECKED: J. PIOTROWSKI	DATE: 4-16-09	FRAME SIZE 2 OPEN ENCLOSURE (IP20 RATING)		
		THIS DOCUMENT AND INFORMATION CONTAINED IN IT ARE CONFIDENTIAL, AND CANNOT BE COPIED OR DISCLOSED IN WHOLE OR IN PART WITHOUT THE EXPRESS WRITTEN CONSENT OF YASKAWA ELECTRIC AMERICA INC.		TECH: J. CAIRO	DATE: 5-11-09	2A0004B	
UNITS: IN [mm]	SCALE: BY VIEW	APPROVED: T. SASADA		DATE: 5-14-09	SIZE: A	REVISION: R00	PAGE: 3 of 3
		ORIGINAL DESIGN: -		DATE: -	DRAWING #: DD.J1K.FR2.IP20		